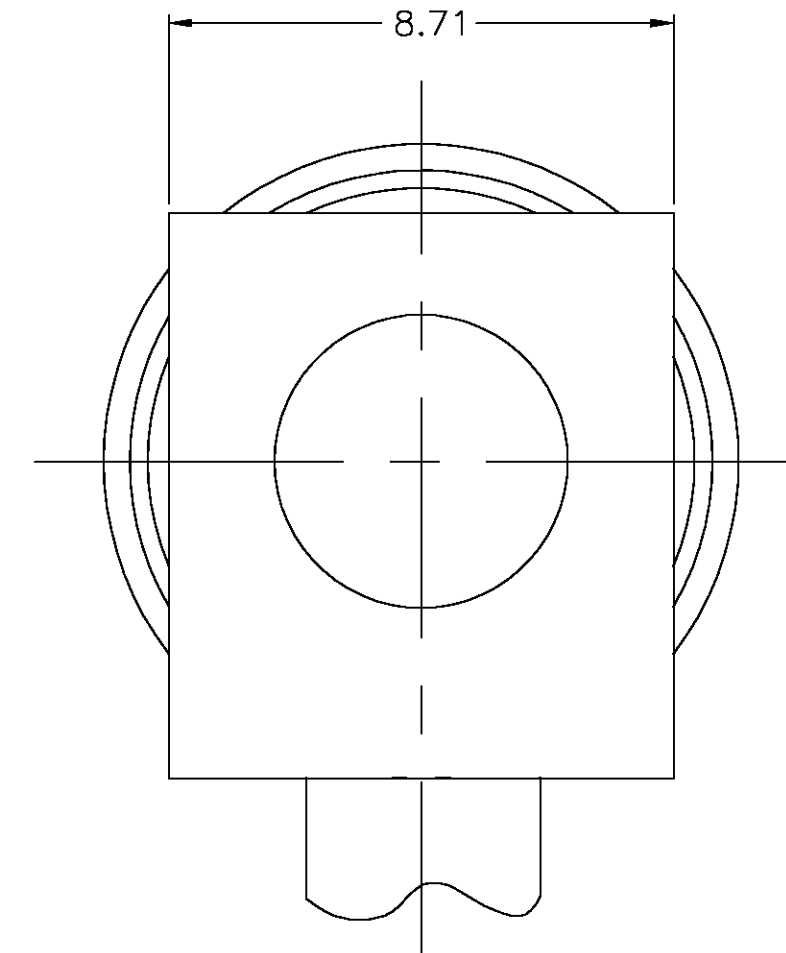
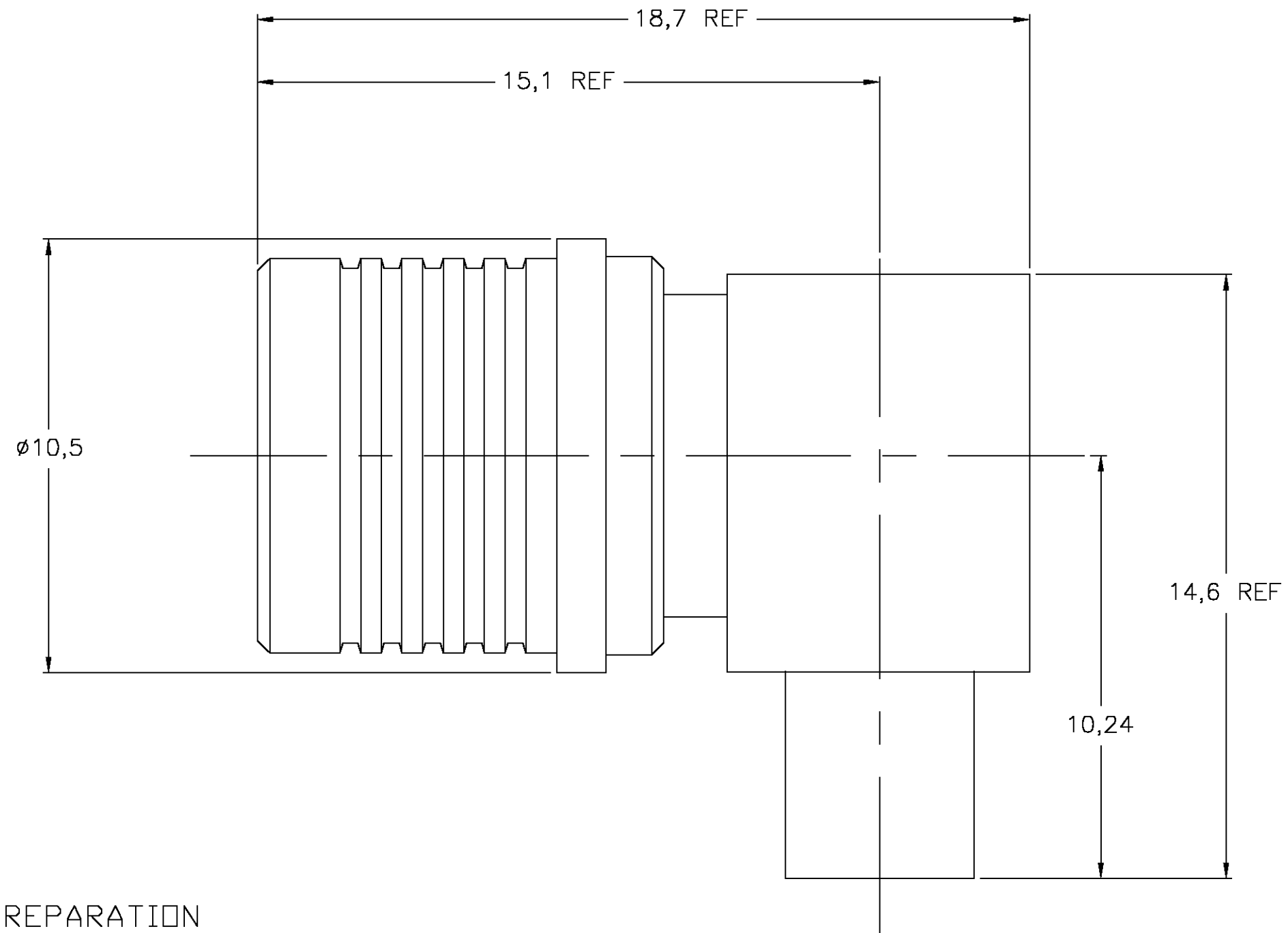
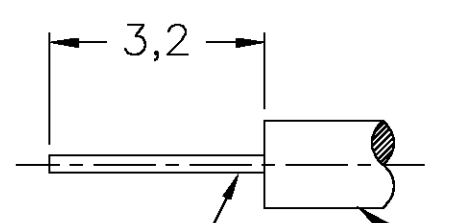


THIS DRAWING IS UNPUBLISHED. RELEASED FOR PUBLICATION
 © COPYRIGHT BY TYCO ELECTRONICS CORPORATION. ALL RIGHTS RESERVED.

Loc	DIST	REVISIONS					
HC	00	P	LTR	DESCRIPTION	DATE	DWN	APVD
		0		RELEASE PER 0S14-0108-04	3/22/04	-	DCam



CABLE PREPARATION
SCALE: NTS



CABLE INNER CONDUCTOR
CABLE JACKET

NOTES:

- DESIGNED FOR USE WITH .141 SEMI-RIGID (RG402/U) AND CONFORMABLE CABLES WITH SIMILAR DIAMETERS
- ASSEMBLE ONTO CABLE USING IS 408-8836

CENTER CONTACT HOUSING CAP	BRASS	GOLD
RELEASE RING	PHOSPHOR BRONZE	WHITE BRONZE
OUTER CONTACT	BERYLLIUM COPPER	NICKEL
DIELECTRIC	PTFE	N/A
COMPONENT	MATERIAL	FINISH

1-1403081-7	1408457-1	1408347-1
CAP	HSG ASSY	PART NO.

THIS DRAWING IS A CONTROLLED DOCUMENT.		DWN	11NOV2002	tyco Electronics	Tyco Electronics Corporation Norwood, MA 02052		
DIMENSIONS: MM		CHK	-		NAME		
TOLERANCES UNLESS OTHERWISE SPECIFIED:		APVD	3/5/04	PRODUCT SPEC			
0 PLC ± -		DCam		108-2087			
1 PLC ± 0,2		PRODUCT SPEC		APPLICATION SPEC			
2 PLC ± -		APVD		-			
3 PLC ± -		WEIGHT		-			
4 PLC ± -		SCALE		10:1			
ANGLES ± 1		SHEET		1 OF 1			
FINISH		REV		0			
MATERIAL		CUSTOMER DRAWING		SCALE 10:1 SHEET 1 OF 1 REV 0			

1408347